



RP803

PAVER

摊铺机

RP803 paver is a kind of construction equipment for paving surface materials on highway of all grades. The equipment has fully absorbed the advanced technology and advantages of similar products at home and abroad, with left and right independent driving being adopted; moreover, new Rexroth microcomputer control technology, material level sensor, electronic automatic leveling, fault diagnosis, and other advanced technologies worldwide are also adopted, possessing strong protection function, and the characteristic of integrating the advantages in all aspects; The single vibrating electrical heating and hydraulic flexible screed plate is equipped, and currently, the technical level of the complete machine can meet the advanced level nationwide. Imported elements are adopted for the key parts and components of the equipment, enabling the manufacturing quality and reliability of the complete machine to meet the level of similar imported products, and it is the ideal equipment for paving the similar imported products on the pavement.

RP803型摊铺机是一种主要用于各种等级公路面层材料摊铺作业的施工设备。该机充分吸收了国内外同类产品的先进技术和优点，行走左右独立驱动，采用了保护功能强的新型力士乐微电脑控制技术，料位传感、电子自动找平、故障自我诊断等当今世界先进技术，具有博众家之长的特色；配置单振捣电加热液压伸缩熨平板，整机技术水平已达到当今国内领先水平。该机关键配套件采用进口元件，使得整机制造质量和可靠性达到同类进口产品水平，是摊铺路面沥青混凝土材料的理想设备。

Performance Characteristics / 性能特点

- The left and right independent drive is subject to microcomputer control, with constant paving speed, and automatic control technology.
- Automatic sensing control technology is adopted for the left and right material conveying and distributing.
- Electronic automatic leveling technology is adopted for the leveling system, which can effectively improve the flatness of the pavement.
- Single vibration and electric heating technology are adopted for the hydraulic flexible screed plate, which is environmental friendly, and can improve the service life of baseplate for the screed plate.
- The centralized lubricating system can periodically, manually, and evenly supply oil to the bearings of each high-temperature parts.
- The standard equipped four-valve water-cooled SC7H engine of Shanghai Diesel Engine Co., Ltd. has strong power, and low fuel oil consumption rate.
- High wear-resistant alloy material is adopted for the material conveying blade.
- The console can intuitively show various working functions as well as the paving, and driving speed, and can also realize rotation and swing to left and right.
- The complete machine possesses high degree of automation, simple and convenient operation, good construction quality, high working performance and other advantages.
- 行驶左右独立驱动，微电脑控制，摊铺速度恒速自动控制技术。
- 左右输料采用传感自动控制技术。
- 找平系统采用电子自动找平技术，有效提高路面的平整度。
- 液压伸缩熨平板采用单振捣和电加热技术，环保并提高熨平板底板寿命。
- 集中润滑系统可定期手动均匀地向各高温部位的轴承供油。
- 标配先进成熟可靠的上柴新一代四气门SC7H水冷增压发动机，功率强劲，燃油率低。
- 分料叶片采用高耐磨合金材料。
- 操纵台能直观地显示各种工作功能、摊铺、行驶速度，并可左右移动、旋转。
- 整机自动化程度高，操作简单方便，施工质量好，作业效率高等优点。

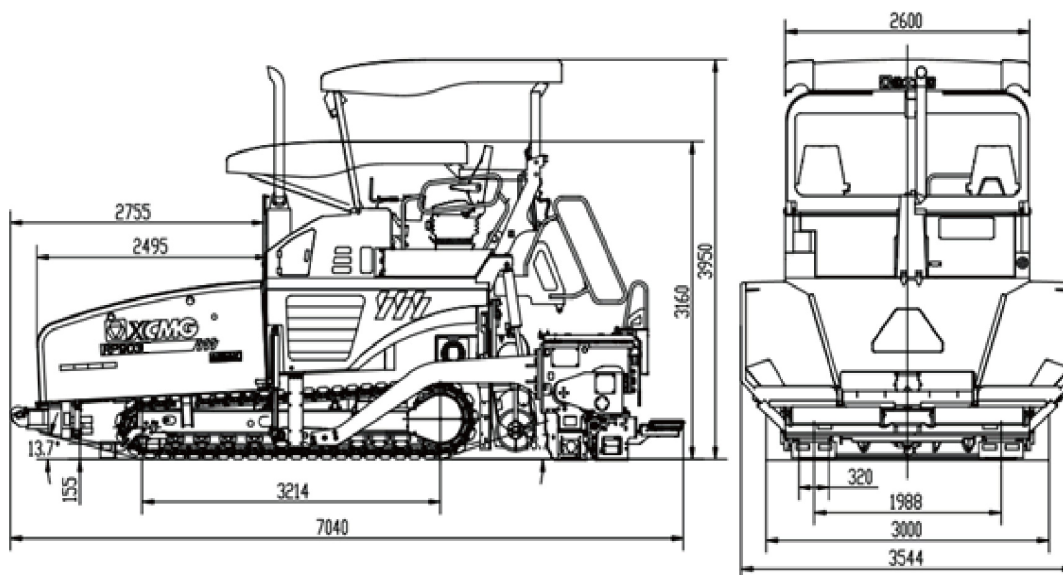
RP803

PAVER

摊铺机

Main Dimensions

主要尺寸



Main Specifications

主要技术参数

Item	项目	单位 Unit	RP803
Basic paving width	基本摊铺宽度	m	3.0
Max. paving width	最大摊铺宽度	m	8.15
Max. paving thickness	最大摊铺厚度	mm	400
Max. working speed	最大工作速度	m/min	20
Max. traveling speed	最大行驶速度	km/h	3.0
Theoretical productivity	理论生产率	t/h	700
Hopper capacity	料斗容量	t	15
Gradeability	爬坡能力	%	20
Evenness	平整度	mm/3m	≤3
Slope tolerance	横坡误差	%	±0.2
Crown adjustment range	拱度调节范围	%	0~+3
Diesel engine power	柴油机功率	kW	140
Diesel engine speed	柴油机转速	r/min	2000
Distributing speed	分料转速	r/min	0~90
Conveying speed	输料速度	m/min	0~27
Tamper speed	振捣转速	r/min	0~1500
Tamper amplitude	振捣振幅	mm	4
Overall dimension	外形尺寸	mm	7040×3000×3160
Total weight	整机重量	t	22.2~26.8
Diesel tank capacity	柴油箱容积	L	300
Hydraulic tank capacity	液压油箱容积	L	300



Machmall.com is an electromechanical product platform officially launched by XCMG, aiming to provide global customers with a complete set of high-quality construction machinery solutions and supporting equipment.


Xuzhou Construction Machinery Group Co., Ltd. (XCMG Group), founded in 1943, is the fourth largest worldwide construction machinery manufacturer and the largest in China with products covering 183 countries and regions.

XCMG have 12 complete solutions:Crane lifting,Mining Construction,Earth-moving Solutions,Road Machinery,Concrete Equipment,Tunnel and Underground Space Construction,Mobile Elevating Work Platform (MEWP),Piling and Non-excavation Equipment,Transportation Equipment, Environmental Sanitation Equipment,Firefighting,Safety and Emergency Rescue



 <https://www.machmall.com/>

 machmall@xcmg.com

 008618652183963
86-516 8773 9797